



C6X Series Jaw Crusher

Reach new height with KEFID

- The rack adopts design of separated side wall, front and rear wall
- Optimize the crushing cavity structure
- Using Integrated motor seat design
- Adopting Double-wedges adjusting device for the first time





As China's largest crushing plant, mill equipments and beneficiation plants production base, kefid has exported large quantities and high-end mobile crushing plant and milling equipments to Russia, Kazakhstan, Indonesia, Ecuador, South Africa, Saudi Arabia ,Oman more than 100 countries and regions and have solved about thousands of and beneficiation projects all over the world, which has made tremendous contributions to the local construction, mining industry and developments.

Nowadays, the C6X Series Jaw Crushers has indisputably become the most popular jaw crusher in the world. This equipment adopts the most advanced crushing technology and manufacturing level so that it can efficiently crush the hard and strong abrasion materials.



C6X Series Jaw Crusher

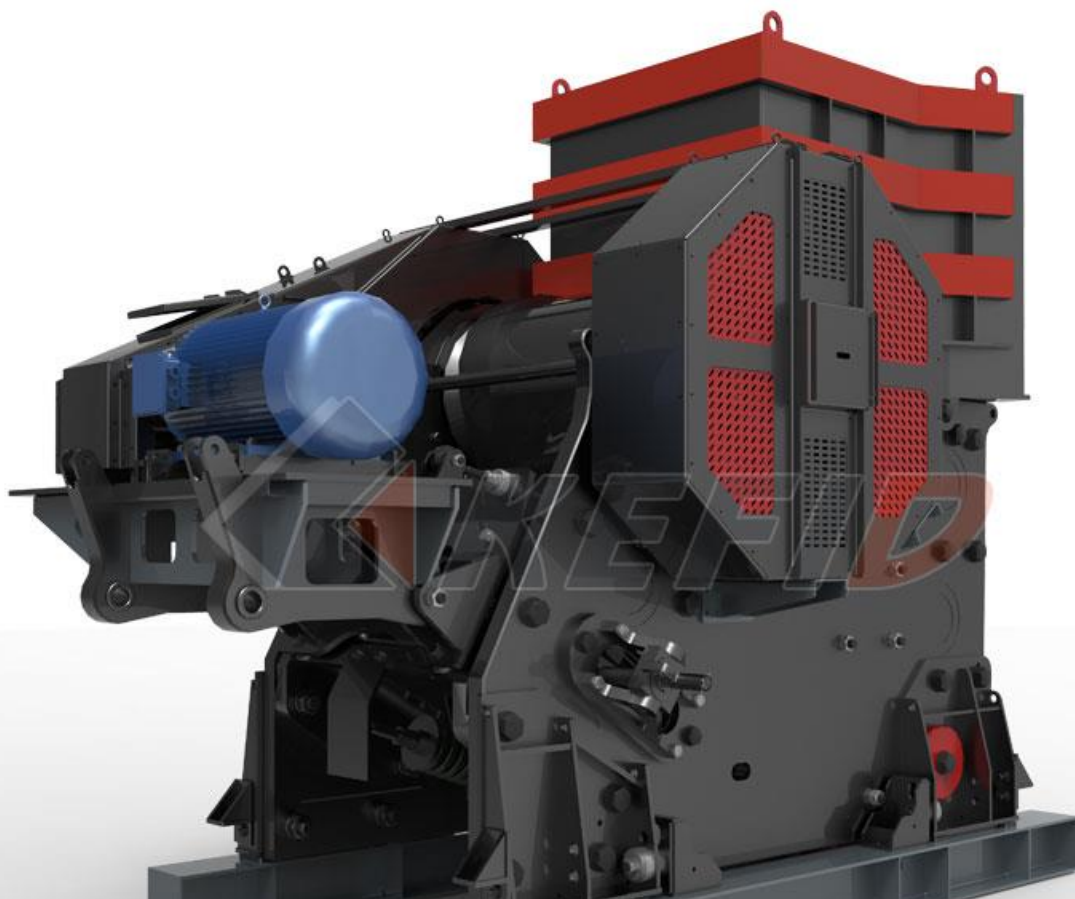
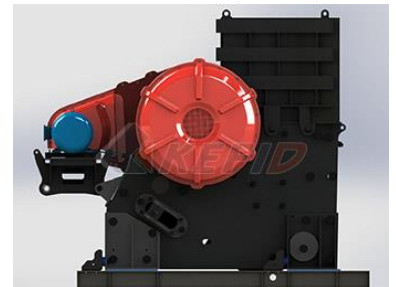
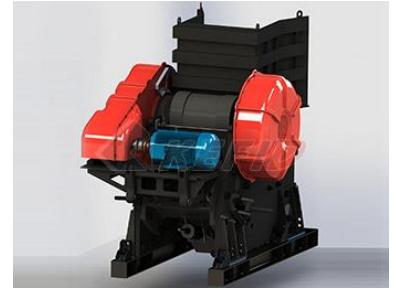
Adopting the international most advanced crushing technique and manufacturing level make the performance more remarkable

1.The rack adopts design of separated side wall, front and rear wall, which greatly increase service life of the crusher.

2.Optimize the crushing cavity structure and movement locus of movable jaw, thus it would achieve higher crushing efficiency under the same energy consumption.

3.Double-wedges adjusting device makes the adjustment of discharge opening easier, more -efficient and safer.

4.It adopts elastic limit block and rubber shock-mitigating device to replace the rigid anchor connection, which improve the service life of the crusher.





Primary mobile crushing plant • **Mobile Jaw Crusher**

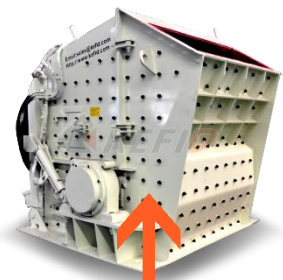
Main Features

From a single application to the multiport online application;

Equipped with a large jaw crusher master device, large crushing ratio;

Compact Chassis Frame, shorten the length of transportation;

Pre-screening function, making the whole processing capacity more powerful;



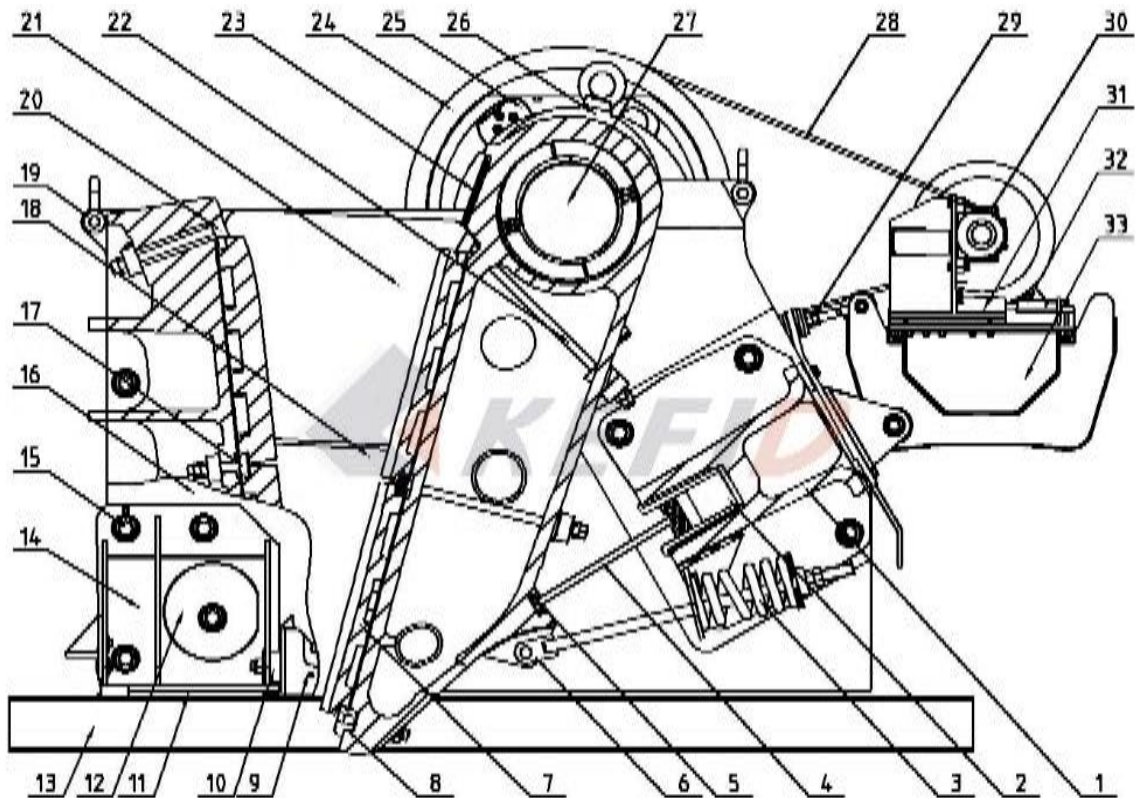
Powerful giant jaws, Crushing blade

K series coarse crushing plant is considered as the most powerful crushing plants in China. It owns awesome big mouth, strong and giant jaws can easily crush all the materials in different hardness. It is indeed the sharpest crushing blade with excellent crushing ratio.



Extended functions

The interchange for jaw crusher and cone crusher: Interchange system for feeding unit and crushing unit, only need price for single crusher, it can achieve the interchange for different units including the feeding unit and the interchange for jaw crusher and cone crusher in a short time at the quarry. Different systems match perfectly and adopt widely for different use, which optimizes the value for customers.



- | | | | |
|--------------------------------------|-----------------------------------|---------------------------------|--|
| 1- Rear wallboard | 11- Shock pad plate | 21- Upper guard plate | 31- Small pulley seat frame (including bearing and bearing seat (difference exist between different models)) |
| 2- Wedge(including adjusting device) | 12- Gland | 22- Connecting bolt | 32- Motor |
| 3- Spring | 13- H-type steel | 23- Guard plate of movable jaw | 33- Motor seat |
| 4- Toggle plate | 14- Support | 24- Fly wheel(pulley) | |
| 5- Toggle plate gasket | 15- Connecting bolt | 25- Balance weight block | |
| 6- Spring rod | 16- Side wallboard and front wall | 26- Movable jaw | |
| 7- Movable jaw plate | 17- Middle lean-iron | 27- Eccentric shaft | |
| 8- Lowe baffle of jaw plate | 18- Lowe guard plate | 28- Belt | |
| 9- Supporting seat | 19- Lifting ring | 29-Rod(including damping block) | |
| 10- Shock pad | 20- Upper wedge | 30- Small pulley | |

C6X Series Jaw Crusher Main Technical Data

		C6X110	C6X125	C6X145	C6X160	C6X200
Feed opening length(mm)		1100	1250	1450	1600	2000
Feed opening width(mm)		850	950	1100	1200	1500
Motor power(Kw)		160	160	200	250	400
Rotating speed(rpm)		230	220	220	220	200
Output size (mm)	Tight-side discharging opening (mm)	t/h	t/h	t/h	t/h	t/h
0-105	70					
0-120	80	160-240				
0-135	90	180-260				
0-150	100	200-280	240-340			
0-185	125	250-360	280-410	320-470		
0-225	150	300-430	340-480	370-550	420-610	
0-260	175	340-490	370-550	430-630	470-700	620-890
0-300	200	380-550	420-620	480-710	530-790	690-1000
0-340	225		470-690	540-790	590-880	770-1100
0-375	250		520-760	600-870	650-970	850-1200
0-410	275			660-950	700-1060	930-1300
0-450	300				750-1100	1000-1500

Note: The theoretical capacity mentioned above would change with different parameter and raw material.



The Strength of Kefid

Kefid Machinery is a leading and pioneering enterprise with the most advanced international level in R&D, manufacturing and selling of large-scale crushing & screening plants and beneficiation plants. Located in a historic city and transportation hub in central China-Zhengzhou, covering 140 thousand square meters, Kefid has Shangjie and High-tech zone two production bases. Shangjie Zone which covers 80,000 square meters has three heavy-duty and modern integrated assembling workshops--occupying 50,000 square meters; High-tech zone has 22 floors R&D Management laboratory building with 26,000 square meters, comprehensive equipments exhibition hall with 5,100 square meters, heavy-duty and modern integrated assembling workshop with 10,000 square meters, and also has the industry's most advanced machining workshop 20,000 square meters, and hundred sets of advanced large-scale vertical lathe, fixed lathe, planner, boring lathe, grinder and milling machines.



SERVICE-With Me- Enjoy your pleasant journey

Your profit is our greatest concern and your praise is the biggest compliment that we diligently strive for. Our aim is, with the core of service, tailored for you the most valuable products with comprehensive pre-sale, sale and after sale service.

Tel: 0086-371-67999255

Email: Sales@kefid.com



SPARE PARTS

Jaw Crusher



Weights for movable



Fixed Jaw Plate



Movable Jaw Plate



Lining Board



Wedge

Crushing Plant



Rotor Assembly



Liner Board



Hammer Bar



Wedge



Impact Plate

Sand-making Equipment



Circum Guard plate



Impact Plate



Impact Block



Hammer



wearproof Plate

PRODUCT LIST

Stationary Crushers

JC Series Jaw Crusher
 Jaw Crusher
 C6X Series Jaw Crusher
 Primary Impact Crusher
 CI5X Series Impact Crusher
 Impact Crusher
 CS Cone Crusher
 Spring Cone Crusher
 HPT Cone Crusher
 Deep Rotor VSI Crusher
 B Series VSI Crusher
 VSI6S vertical shaft impact crusher

VU System Equipment

Dry Sand Making System
 Dry-Mixed Mortar Sand Making Equipment
 Concrete-Use Sand Making Equipment

Grinding Mills

Ultra Fine Vertical Grinding Mill
 VM - Vertical Grinding Mill
 European Tech. Grinding Mill
 Micro Powder Mill
 Raymond Mill
 Ball Mill

Washing & Screening

F5X Heavy Vibrating Feeder
 Screw Sand Washing Machine
 Wheel Sand Washing Machine
 Vibrating Feeder
 Belt Conveyor

K series mobile plants

Primary mobile crushing plant
 Mobile Secondary Crushing & Screening Plant
 Independent Operating Combined Mobile Station
 Fine crushing and screening mobile station
 Fine crushing & washing mobile station
 Three combinations mobile crushing plant
 Four combinations mobile crushing plant

Crawler Mobile Crusher

Ore Beneficiation

Jaw Crusher
 HPT Cone Crusher
 Ball Mill
 Rotary Kiln
 Flotation Machine
 High Gradient Magnetic Separator

Address: National HI-TECH Industry Development Zone.Zhengzhou,China.

Tel : 0086-371-67999255(24 Hour) / 67988500

Fax: 0086-371-67998980

Zip code: 450001

Email:sales@kefid.com

Web: <http://www.kefid.com>

